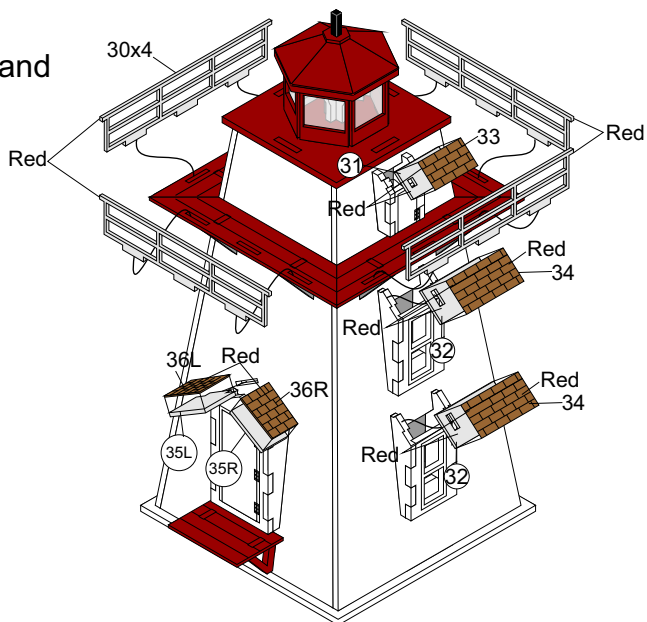


**Step 6**  
Railings and  
shingles



**Step 7**

Painting

We suggest using a premium acrylic paint like the DecoArt-Americana product line. We have found this product has good coverage on bare woods.

The following DecoArt Americana colors were used

**White DA01**

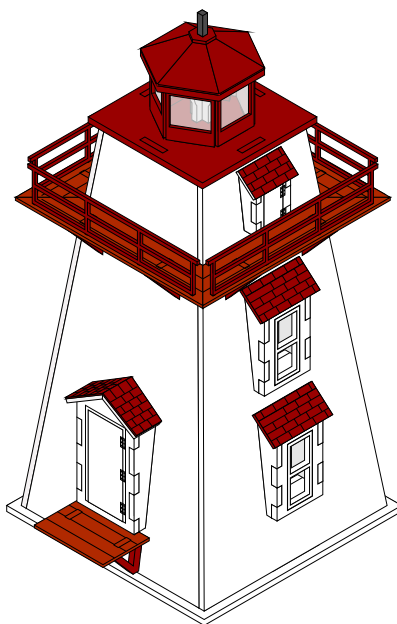
Main building  
Light beacon  
Window and door casings

**Red MDA159**

Shingles/beacon roof  
Balconies support brackets  
Balconies  
Railings  
Door step/support brackets

**Black DA067**

Vent



Saint Peters Bay P.E.I.

# East Coast Lighthouse



Footprint  
2.375" x 2.375"  
Height 5.1"

**HO Scale**



1140

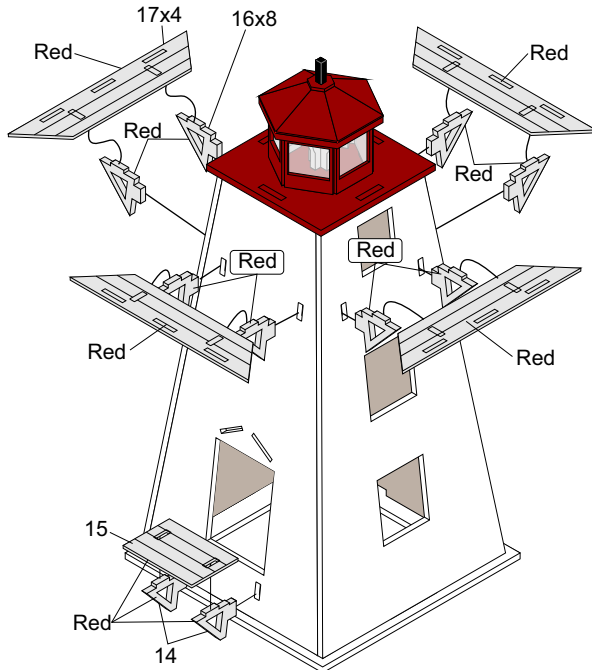
## Recommended items for assembly

Hobby Knife, Scissors, White glue (suggested), 120g sandpaper, Masking tape, Selection of paint brushes.

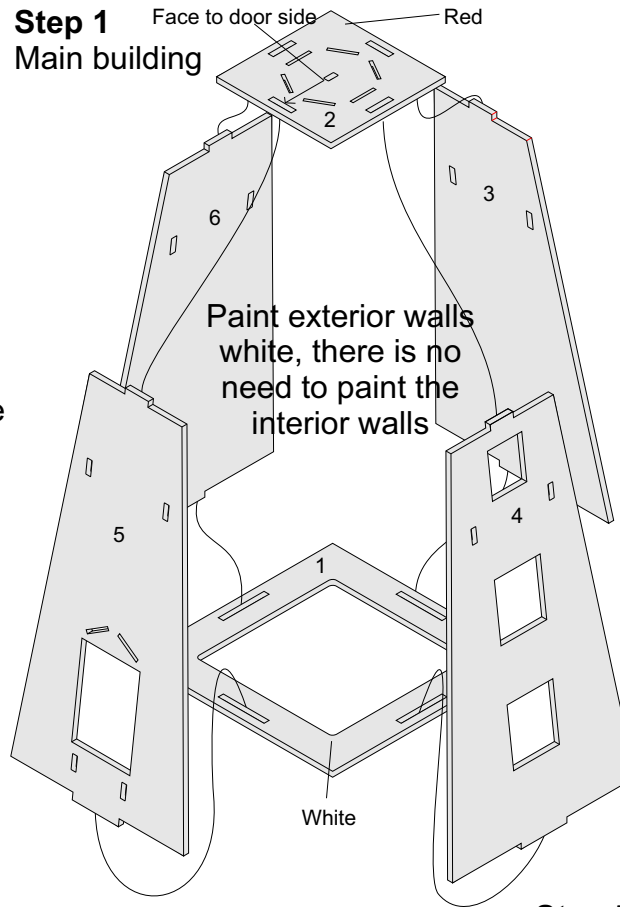
## Building your kit

Instructions show the stages in building your model, however we do suggest painting your model as you build it. Some parts may be challenging to paint when fully assembled. Each step gives an indication of what the colors should be for each part. See back page for painting diagram. A hobby knife is suggested to cut the pieces from the part tree but most parts will break free easily. We recommend removing the exposed burnt edge left by the laser with 220 grit sandpaper. This makes it easier for painting especially when painting a translucent color like white also it makes for a better appearance, especially if you are going to leave the model in it's natural wood state.

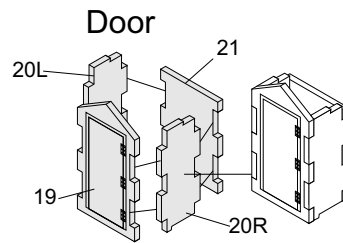
## Step 3 Belconies



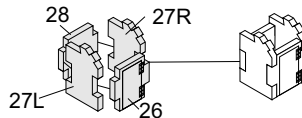
## Step 1 Main building



## Step 4 Windows and doors

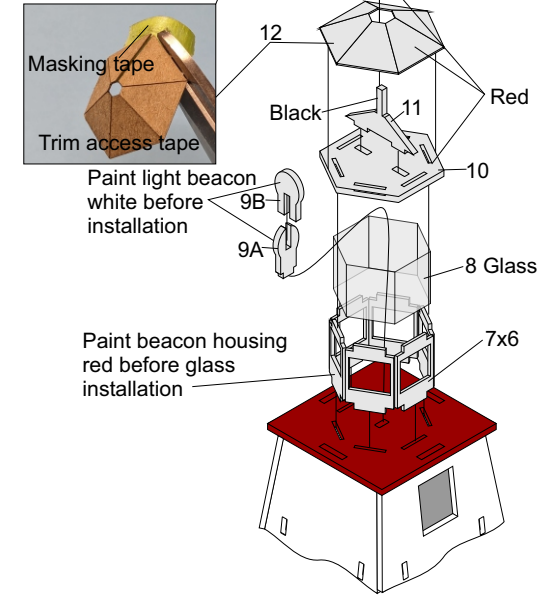


### Access hatch

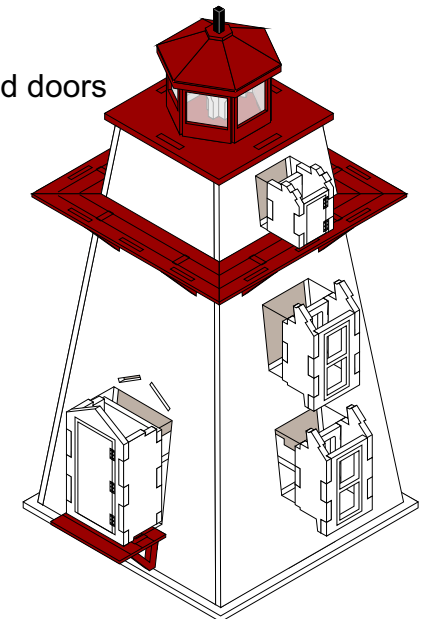


## Step 2 Light beacon housing

Use a piece of masking tape on the bottom side of part 12 to hold it in shape.



## Step 5 Windows and doors installation



### Note

All parts in step 4 are painted white