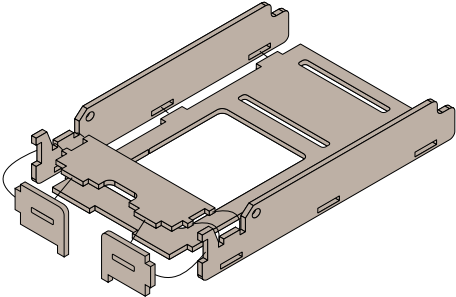


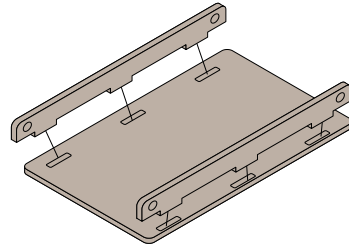
**Notes about building:**

The PPS is designed as a press fit construction. Due to tolerance in plywood thickness and humidity sometimes parts may need a small amount of white glue to hold in place. Any black substance that gets on your hands is non toxic and can be removed with soap and water

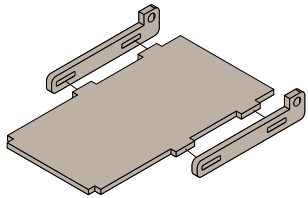
Base Assembly



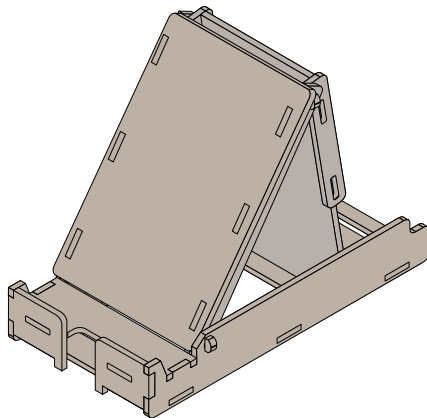
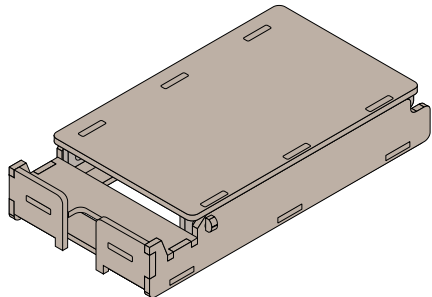
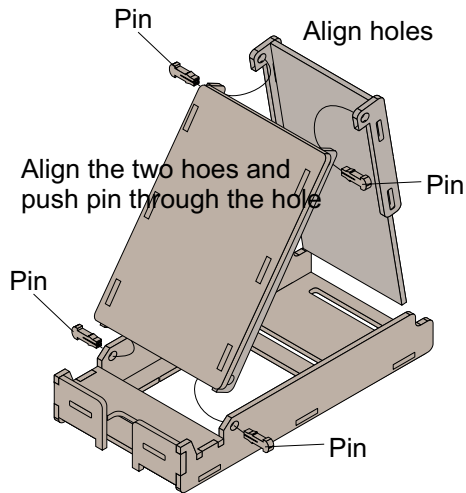
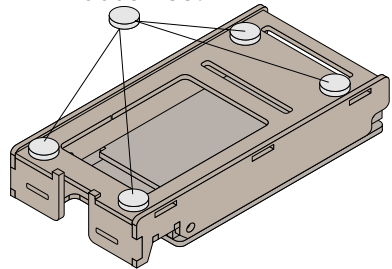
Phone Rest Assembly



Phone Rest Support Assembly



Rubber feet



# Personal Phone Stand

Press fit construction  
No glue or tools required



Build time approximately 5 minutes

Build your own Personal Phone Stand  
for your cell phone or tablet

Adjustable angle  
Collapses down for storage  
Opening for most charging cords



8005